

Datasheet - ADEL-HD H20026

Doc.-no.: H20026-70-ADEL-HD_Datasheet



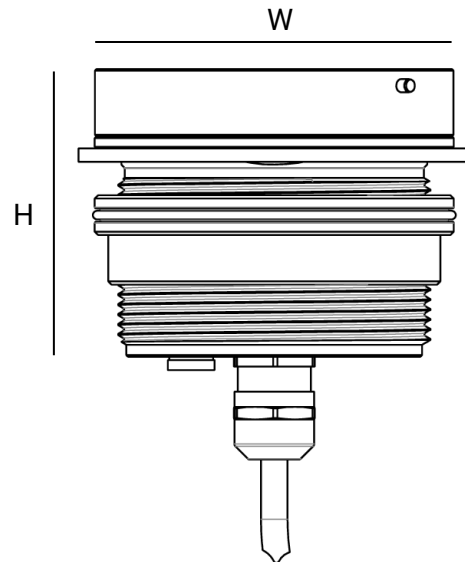
ADJUSTABLE DECK EDGE LIGHT - HEAVY DUTY

- Illumination of the perimeter, aiming circle or "H" on the flight deck
- HD version for installation at any location within the landing area
- Almost deck even integration for an obstacle-free deck
- Vertical adjustability for easy installation in various deck covers
- Allows readjustment after deck maintenance
- Provides light from abt. 20° (horizontal) upwards
- Array of sensors offers health monitoring*
- Dimmable in over 65 000 steps
- Designed for performance



PRODUCT SPECIFICATION

Supply voltage	24 V DC
Power*	See "Applications" table below
Ambient temperature	-25°C to 45°C
Ingress protection level	IP65
Dimensions (D x H)	Ø 108 x 85 mm
Weight	1.7 kg
Surface colour	Steel polished / aluminium grey
Surface coating	Polished / anodized
Housing material	Seawater resistant aluminium alloy
Top glass material	Soda lime glass
Top ring material	Stainless steel (polished)
Adjustment	9.5 - 55 mm top deck level to construction deck
Luminous range	0.5 NM
Light source	LED
Light colours*	Green; Amber; White
Luminous intensity*	Green & Amber: 20 cd; White: 40 cd
Surface pressure	325 N/cm ²



APPLICATIONS

ON-Part No.	Light Colour	Power	Connector Gland
H20026-00-052	Green	3 W	Cable Gland (Wiska EMSK-V)
H20026-00-053	Green	3 W	M12 Connector
H20026-00-054	Green	2 W	Cable Gland (Wiska EMSK-V)
H20026-00-055	Green	2 W	M12 Connector
H20026-00-056	Amber	5 W	Cable Gland (Wiska EMSK-V)
H20026-00-057	Amber	5 W	M12 Connector
H20026-00-058	Amber	4 W	Cable Gland (Wiska EMSK-V)
H20026-00-059	Amber	4 W	M12 Connector
H20026-00-060	White	6 W	Cable Gland (Wiska EMSK-V)
H20026-00-061	White	6 W	M12 Connector
H20026-00-062	White	5 W	Cable Gland (Wiska EMSK-V)
H20026-00-063	White	5 W	M12 Connector



Horizontal
FWHM
360°



Vertical
FWHM
Green: 100°
Amber: 98°
White: 110°

*Variant specific

Product and image may vary slightly depending on the specific use case, installation environment, and colour choices.
 Revision 1.0 | 23.09.2024 | Author: CHE | Checked: MKO
 Optonaval GmbH | Stenzelring 18 | 21107 Hamburg - Germany
 Phone: +49 40 6094490-0 | E-Mail: info@optonaval.de

© Optonaval GmbH
 www.optonaval.de