

# Datasheet - ADEL-F H20026

Doc.-no.: H20026-70-ADEL-F\_Datasheet



## ADJUSTABLE DECK EDGE LIGHT - FLUSH

Illumination of the perimeter, aiming circle or "H" on the flight deck

Almost deck even integration for an obstacle-free deck

Vertical adjustability for easy installation in various deck covers

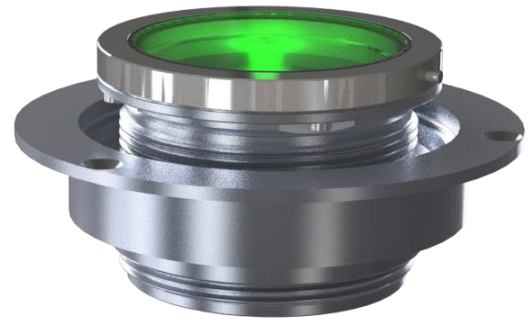
Allows readjustment after deck maintenance

Provides light from abt. 20° (horizontal) upwards

Array of sensors offers health monitoring\*

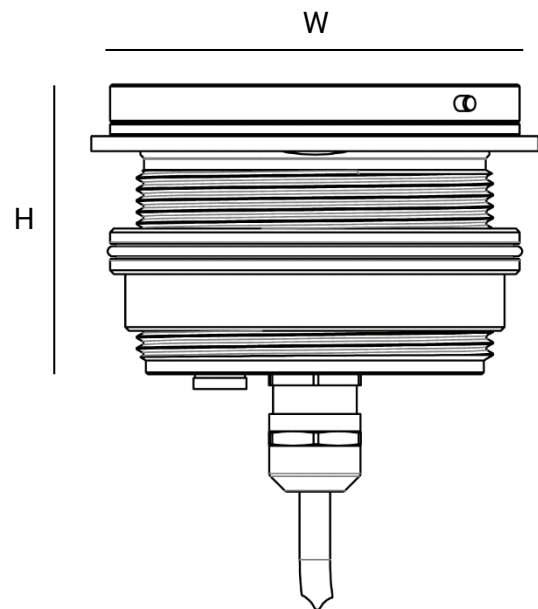
Dimmable in over 65 000 steps

Designed for performance



## PRODUCT SPECIFICATION

Supply voltage	24 V DC
Power*	See "Applications" table below
Ambient temperature	-25°C to 45°C
Ingress protection level	IP65
Dimensions (D x H)	Ø 108 x 76 mm
Weight	1.3 kg
Surface colour	Steel polished / aluminium grey
Surface coating	Polished / anodized
Housing material	Seawater resistant aluminium alloy
Top glass material	Laminated safety glass
Top ring material	Stainless steel (polished)
Adjustment	9.5 - 55 mm top deck level to construction deck
Luminous range	0.5 NM
Light source	LED
Light colours*	Green; Amber; White
Luminous intensity*	Green & Amber: 20 cd; White: 40 cd
Surface pressure	103 N/cm <sup>2</sup>



## APPLICATIONS

ON-Part No.	Light Colour	Power	Connector Gland
H20026-00-040	Green	3 W	Cable Gland (Wiska EMSK-V)
H20026-00-041	Green	3 W	M12 Connector
H20026-00-042	Green	2 W	Cable Gland (Wiska EMSK-V)
H20026-00-043	Green	2 W	M12 Connector
H20026-00-044	Amber	5 W	Cable Gland (Wiska EMSK-V)
H20026-00-045	Amber	5 W	M12 Connector
H20026-00-046	Amber	4 W	Cable Gland (Wiska EMSK-V)
H20026-00-047	Amber	4 W	M12 Connector
H20026-00-048	White	6 W	Cable Gland (Wiska EMSK-V)
H20026-00-049	White	6 W	M12 Connector
H20026-00-050	White	5 W	Cable Gland (Wiska EMSK-V)
H20026-00-051	White	5 W	M12 Connector



Horizontal  
FWHM  
360°



Vertical  
FWHM  
Green: 87°  
Amber: 83°  
White: 100°

\*Variant specific

Product and image may vary slightly depending on the specific use case, installation environment, and colour choices.

Revision 1.0 | 23.09.2024 | Author: CHE | Checked: MKO

Optonaval GmbH | Stenzelring 18 | 21107 Hamburg - Germany

Phone: +49 40 6094490-0 | E-Mail: info@optonaval.de

© Optonaval GmbH  
www.optonaval.de