

Datasheet - FDEL H20024

Doc.-no.: H20024-70-FDEL_Datasheet



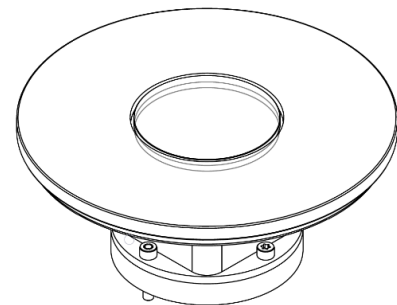
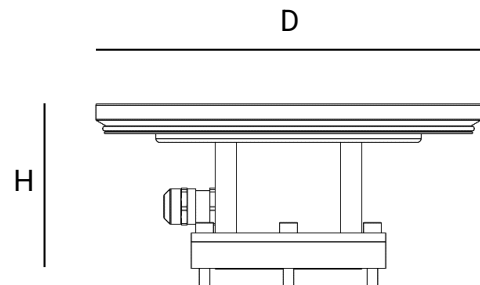
FLUSH DECK EDGE LIGHT

- Designed to illuminate the landing deck area
- Almost deck even integration for an obstacle free deck
- Provides light from abt. 20 ° (horizontal) upwards
- Array of sensors offers health monitoring
- Dimmable in in over 65 000 steps
- Designed for performance



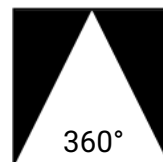
PRODUCT SPECIFICATION

Supply voltage	24 V DC
Power	5 W rated
Ambient temperature	-20 °C to 50 °C
Ingress protection level	IP65
Dimensions housing	Ø 218 x 105 mm
Weight	Approx. 5 kg
Housing material	Sea water resistant aluminium alloy
Top ring material	Stainless steel (polished)
Glass material	Laminated safety glass
Luminous range	0,5 NM
Light source	LED
Light colours	Green
Luminous intensity	20 cd

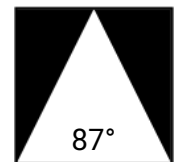


APPLICATIONS

ON-Part No.	Connector Gland
H20024-00-002	Cable Gland (Wiska EMSK-V)



Horizontal
FWHM



Vertical
FWHM