

## DATASHEET

for

### Wave-Off Button

Product WOB H20016-00-001 / Yacht Application



The Purpose of the Wave-Off Button (WOB) is to enable the persons involved with the flight operations on board to notify the helicopter crew and everybody on board about a potentially dangerous situation. The WOB provides two safety signaling functions in one panel.

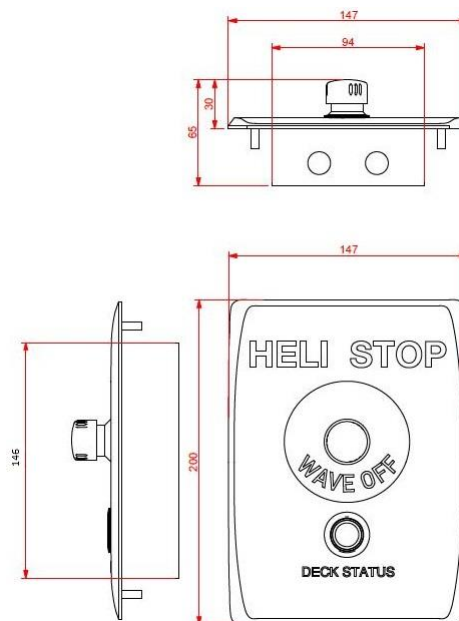
In the functionality as a "WAVE OFF" signal, it provides an easy to handle and safe method to signal to the helicopter, that landing is not safe. The indicator Light next to the WOB indicates "Green" light during regular operation, when the HVLAS is in operation and "Red" when the WOB is activated. Once activated, the helicopter will see flashing red lights, signaling him to "Wave-Off" i.e. abort the approach or clear the helideck/ landing area.

The second function is the SWITCH OFF (Powerless) functionality for the REFUELING system as a separate button on the same panel.

Both functions can only be deactivated by the Flight Deck Officer or Officer of the Watch / Captain on the Bridge.

## PRODUCT SPECIFICATION

ELECTRICAL SPECIFICATIONS	
Supply voltage	48 V DC
Power	5 W rated
OPERATING CONDITIONS	
Ambient temperature	-25°C to 45°C
Ingress protection level	IP66/67
MECHANICAL SPECIFICATIONS	
Dimensions	147 x 200 x 100mm
Weight	approx. 1,6 kg
Top Plate color	brushed/polished Stainless Steel
Housing material	PLA
Top Plate Surface coating	anodized
ADDITIONAL DOCUMENTS	
Installation Drawing	H20016-50-001_InstallationDrawing
Installation Manual	H20016-51-001_InstallationManual
Operating Manual	H20016-81-001_OperatingManual
Maintenance Manual	H20016-82-001_MaintenanceManual



## APPLICATIONS

ON-part-no.	Product type
H20016-00-001	WOB - MY Solaris