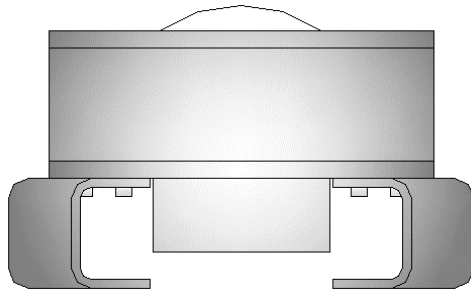


DATASHEET
for
Deck Edge Light

Product DEL H20015-00-007 / Naval Applications



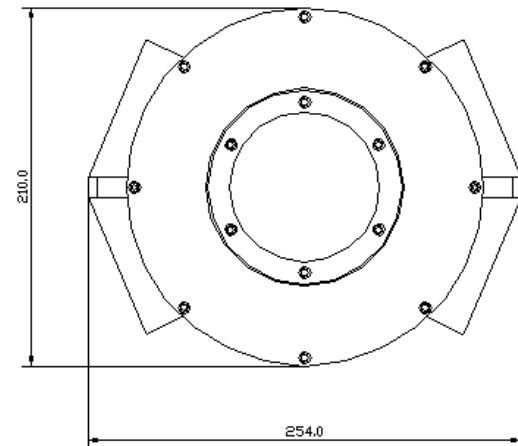
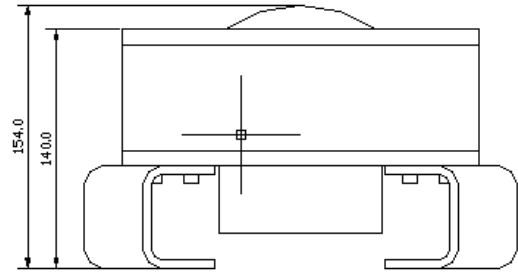
The Deck Edge Light (DEL) is designed to mark the deck's outer limits (perimeter circle) and complies with STANAG 1445 (NVG operations). For this purpose a dimming level of down to 0,05% can be achieved. It has a low and compact housing profile, which is made of massive seawater resistant aluminum for performance in rough marine environments.

System integrity and operational reliability is monitored by Optonaval's internal electronics combining multiple sensors measuring temperature, humidity, and electric current, providing 24 / 7 monitoring of the DEL's status. In that respect, the DEL will show an upcoming malfunction before it fails. Easily exchangeable standard dry agent cartridges provide effective absorption of residual humidity. Nitrogen filling – as alternative mode of humidity control – is possible as optional feature.

All data reflect the current state of the technology and should therefore be regarded with reservation.

PRODUCT SPECIFICATION

ELECTRICAL SPECIFICATIONS	
Supply voltage	48 V DC
Power	5 W rated / 7 W max.
OPERATING CONDITIONS	
Ambient temperature	-25°C to 45°C
Ingress protection level	IP66/67
Shock	acc. to MIL-STD-810G / BV 0230
Vibration	acc. to MIL-STD-810G / BV 0240
EMC	acc. to MIL-STD-461G / VG 95373
NVIS compatible	acc. to MIL-STD-3009 Type II class B
MECHANICAL SPECIFICATIONS	
Dimensions	Ø210x254x154 mm
Weight	approx. 4,6 kg
Housing color	RAL Classic
Housing material	sea water resistant aluminum alloy
Surface coating	anodized & powder coated
Top glass material	Glass / HDPU
OPTICAL/LIGHT SPECIFICATIONS	
Light source	LED
Light colors	AM, GN
Light intensity profile	acc. to CAP 437 / ICAO compliant
ADDITIONAL DOCUMENTS	
Installation Drawing	H20015-50-007_InstallationDrawing
Installation Manual	H20015-51-007_InstallationManual
Operating Manual	H20015-81-007_OperatingManual
Maintenance Manual	H20015-82-007_MaintenanceManual



APPLICATIONS

ON-part-no.	Product type
H20015-00-007	Ø210x254x154mm - AM