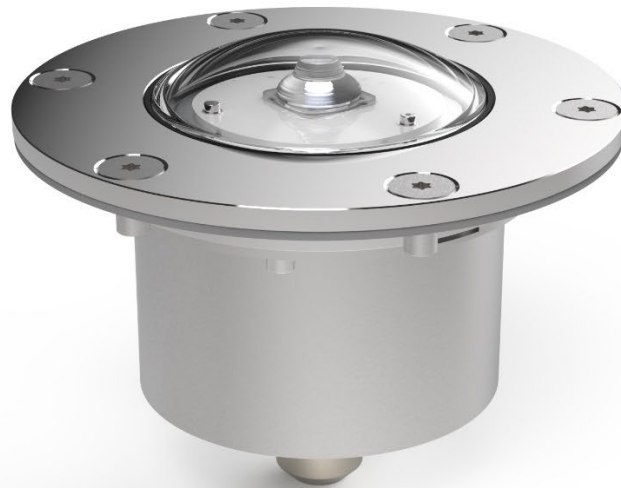


Deck Edge Light - Convex

Product DEL-C H20035-00-00x / Naval Applications



As a member of Optonaval's product range illuminating and indicating the landing deck area, the Deck Edge Light - Convex (DEL-C) provides light from abt. 0° (horizontal) upwards. It is almost flush integrated in the deck without creating any obstacle for people working on the deck. With these characteristics it is usually integrated along the stern line of the deck, as the Combined Flood and Deck Edge Lights, the Crabs, are positioned long side.

In case the compartment just beneath the Deck Edge Light needs to be completely watertight and airtight, Optonaval recommends integrating the DEL-C into a mounting pot welded into the deck. Please refer to the related ON documentation. The light intensity can be dimmed in 65K steps, configured in eight or more user defined levels via the control system.

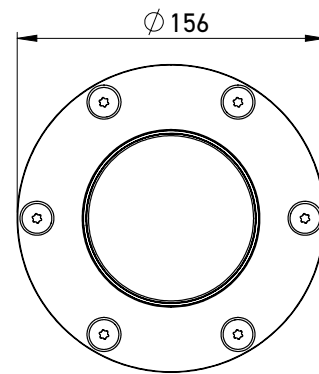
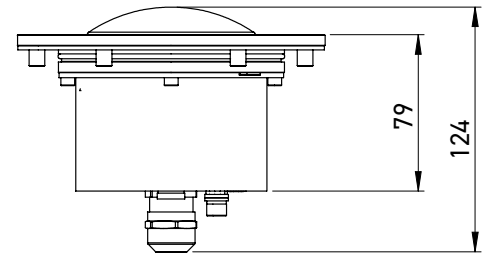
The DEL-C is compatible to Night Vision (NVG) mode according to STANAG 1445 / Stage 2, details depending on the selected light colour.

System integrity and operational reliability is monitored by multiple sensors measuring temperature, humidity, and electric current. These internal electronics provide constant monitoring of the DEL-C status and ensure that degradations and failures can be detected generally before such event.

Benefit of the electronic features is granted in combination with Optonaval's software suite Albatross, starting with the module AlbaNavy. Please refer to the relevant Software Documentation.

PRODUCT SPECIFICATION

ELECTRICAL SPECIFICATIONS	
Supply voltage	48 V DC
Power	10 W rated
OPERATING CONDITIONS	
Ambient temperature	-32°C to 49°C
Ingress protection level	IP66/67
Shock	acc. to MIL-STD-810H / 10G
Vibration	acc. to MIL-STD-810H
EMC	acc. to MIL-STD-461G
NVIS	acc. to STANAG 1445, stage 2
MECHANICAL SPECIFICATIONS	
Dimensions	Ø156 x 124 mm
Weight	2,5 kg
Housing colour	steel grey
Housing material	stainless steel
Surface coating	blank
Top glass material	pressed glass
Top ring material	stainless steel
OPTICAL/LIGHT SPECIFICATIONS	
Light source	LED
Light colours	see application table
Light intensity profile	ICAO 9261 compliant
CONNECTION / CONTROLS	
Power supply / Data cable	4*2*0,75 mm ² twisted shielded
Controls	MODBUS RTU
Daisy chain	max 4 in a row



SPECIAL FEATURES

✓	Optimized for obstacle free deck integration
✓	Perfect addition to the CFDEL "Crab"
✓	Dimming in 65k steps
✓	Health monitoring and reporting
✓	Smart weight saving cabling
✓	Integrated in Albatross software suite
✓	Comprehensive service package and ILS support available

VARIANTS & APPLICATIONS

ON-Part No.	Product Type - Colour
H20035-00-001	DEL-C – Deck Edge Light - Convex – AM - CG
H20035-00-002	DEL-C – Deck Edge Light - Convex – AM - M12
H20035-00-003	DEL-C – Deck Edge Light - Convex – GN - CG
H20035-00-004	DEL-C – Deck Edge Light - Convex – GN - M12
H20035-00-005	DEL-C – Deck Edge Light - Convex – WH - CG
H20035-00-006	DEL-C – Deck Edge Light - Convex – WH - M12

