

INERTIAL MEASUREMENT UNIT

Product IMU H20020-00-001



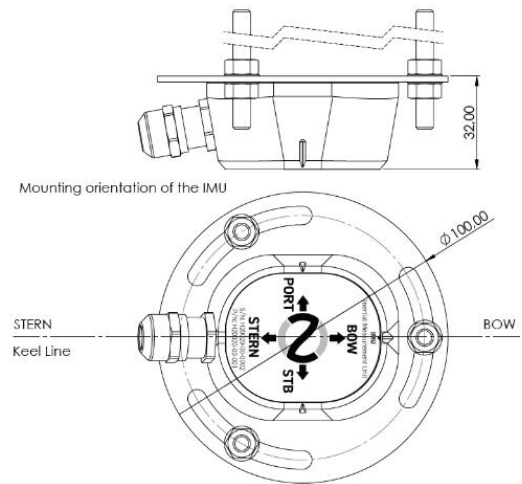
The Inertial Measurement Unit (IMU) provides high precision roll, pitch, and heave data, directly measured beneath the centre of the heli deck. Thus, the IMU delivers real time values, no conversions needed as for data measured at any different position on board. The data should be displayed at the FDO station supporting safe operations and judgement of the situation.

Due to the large temperature range, the light weight and compact housing the unit can be installed almost everywhere.

Benefit of the electronic features is granted in combination with Optonaval's software suite Albatross, starting with the module AlbaNavy / AlbaYacht. Please refer to the relevant Software Documentation.

PRODUCT SPECIFICATION

ELECTRICAL SPECIFICATION	
Supply voltage	4 – 15 V DC
Power	400 mW
Main Serial Interface	RS422
OPERATING CONDITIONS	
Ambient temperature	-32°C to 50°C
Ingress protection level	IP 56
Roll & Pitch	0,1°
Heave	5 cm
MECHANICAL SPECIFICATION	
Dimensions (LxHxD)	Ø100x32 mm
Weight	approx. 0,5 kg
Material	Polyactide
CONNECTION & CONTROL SPECIFICATION	
Power supply / Data cable	4*2*0,75 mm ² twisted shielded
Controls	MODBUS RTU



SPECIAL FEATURES

✓	No data conversion needed
✓	Robust housing, easy integration, and installation
✓	Smart cabling
✓	Integrated in Albatross software suite
✓	Comprehensive service package and ILS support available

