

## DATASHEET

for

### Line Up Light

Product LUL H20013-00-001 / Naval Applications

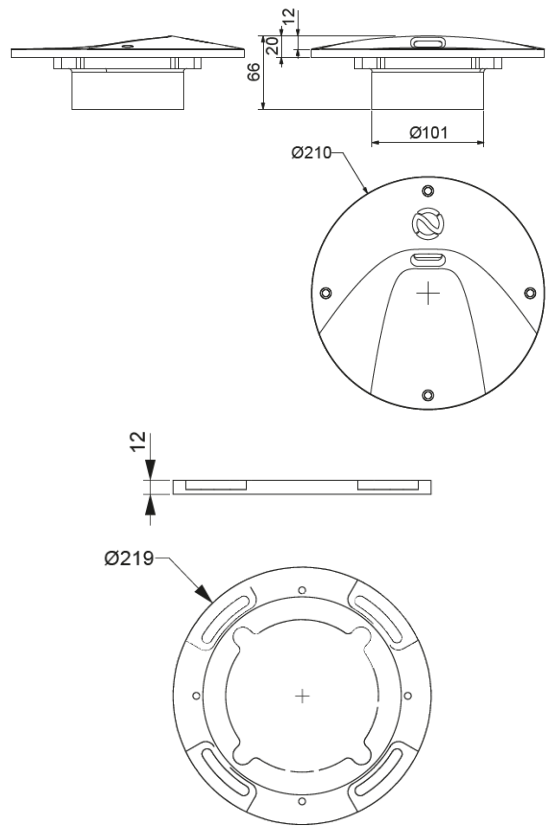


The Line-Up-Light's round and very flat corpus is designed for direct integration into the flight deck. The light beam is directed aft with a horizontal spread of  $\pm 40$  degrees relative to the vessels center line. It signals a steady white light or other colors with a vertical elevation of 0 – 10 degrees towards the incoming helicopter. The rigid and ultra-flat design is optimized for obstacle-free flight deck operations, high deck loads and performance in extreme marine environments. The light can be programmed for any desired light sequence (steady, blinking, flash, sequenced flash ...).

All data reflect the current state of the technology and should therefore be regarded with reservation

## PRODUCT SPECIFICATION

ELECTRICAL SPECIFICATIONS	
Supply voltage	48 V DC
Power	6 W rated
OPERATING CONDITIONS	
Ambient temperature	-20°C to 50°C
Ingress protection level	IP66/67
Shock	acc. to MIL-STD-810G / BV 0230
Vibration	acc. to MIL-STD-810G / BV 0240
EMC	acc. to MIL-STD-461G / VG 95373
NVIS compatible	acc. to MIL-STD-3009 Type II class B
MECHANICAL SPECIFICATIONS	
Dimensions (LxHxD)	Ø210x66 mm
Weight	approx. 1,0 kg
Housing color	Aluminum grey
Housing material	sea water resistant aluminum alloy
Surface coating	anodized
Front glass material	Mineral glass
OPTICAL/LIGHT SPECIFICATIONS	
Light source	LED
Light colors	WH
Luminous flux	10 lm
Beam angle	0° - 20° vertical 80° horizontal
ADDITIONAL DOCUMENTS	
Installation Drawing	H20013-50-001_InstallationDrawing
Installation Manual	H20013-51-001_InstallationManual
Operating Manual	H20013-81-001_OperatingManual
Maintenance Manual	H20013-82-001_MaintenanceManual



## APPLICATIONS

ON-part-no.	Product type	Specific Information
H20013-00-001	LUL	-