

Line-Up Light

Product LUL H20013-00-001 / Naval Applications



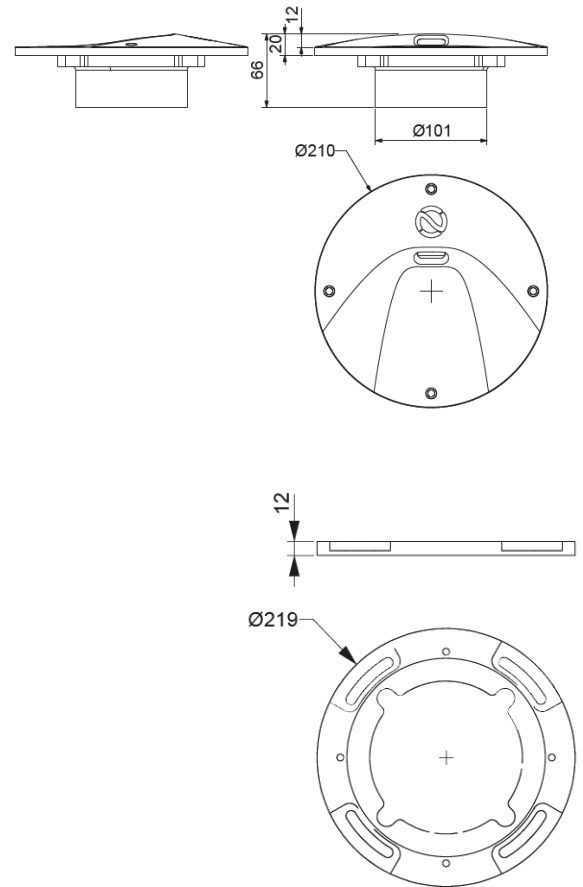
Line-Up Lights are to be integrated in the flight deck, in a row parallel to the ship's x-axis, equidistant, and usually extended by vertically arranged line-up lights at the hangar wall and the stern. The Optonaval LUL features a round and very flat corpus, optimized for obstacle-free flight deck operations, designed to withstand the loads of a helicopter of min. 10kg/cm². The light beam is directed aft with a horizontal spread of $\pm 30^\circ$ relative to the vessel's centre line. It signals a steady white light or any other colour with a vertical elevation of 0–20° towards the incoming helicopter, to be seen in approx. 0,5 NM at night. The light can be programmed for a customized light sequence, i.e. steady, flashing, or sequenced flash. Light intensity can be dimmed in 65K steps, configured in eight or more user defined levels via the control system.

System integrity and operational reliability is monitored by multiple sensors measuring temperature, humidity, and electric current. These internal electronics provide constant monitoring of the LUL status and ensure that degradations and failures can be detected generally before such event.

Benefit of the electronic features is granted in combination with Optonaval's software suite Albatross, starting with the module AlbaNavy. Please refer to the relevant Software Documentation.

PRODUCT SPECIFICATION

ELECTRICAL SPECIFICATION	
Supply voltage	48 V DC
Power	6 W rated
OPERATING CONDITIONS	
Ambient temperature	-32°C to 49°C
Ingress protection level	IP66/67
Shock	acc. to MIL-STD-810H / 10G
Vibration	acc. to MIL-STD-810H
EMC	acc. to MIL-STD-461G
NVIS	acc. to STANAG 1445, Stage 2
MECHANICAL SPECIFICATION	
Dimensions (LxHxD)	Ø210x66 mm
Weight	approx. 1,0 kg
Housing colour	aluminium grey
Housing material	sea water resistant aluminium alloy
Surface coating	anodized
Front glass material	mineral glass
OPTICAL/LIGHT SPECIFICATION	
Light source	LED
Light colours	WH
Light intensity	to be provided on request
Beam angle	0° - 20° vertical 60° horizontal
CONNECTION & CONTROL SPECIFICATION	
Power supply / Data cable	4*2*0,75 mm² twisted shielded
Controls	MODBUS RTU
Daisy chain	max 4 in a row



SPECIAL FEATURES

✓	Optimized for flush deck integration
✓	Customized light characteristics
✓	Withstanding the loads of the helicopter
✓	Dimming in 65k steps
✓	Health monitoring and reporting
✓	Smart weight saving cabling
✓	Integrated in Albatross software suite
✓	Comprehensive service package and ILS support available