

## DATASHEET

for

### Universal Indication Light

Product UIL H20006 / Naval Applications



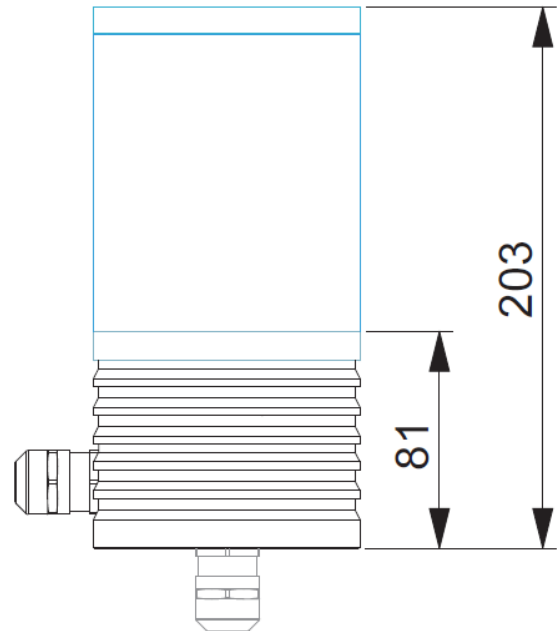
The Universal Indicator Light (UIL) comes in various LED colors, technical setups and performance levels, based on a universal housing design. The rigid design of the massive seawater resistant aluminum body is optimized for performance in extreme marine environments.

The UIL is commonly used as **Wave-Off-Light** (WOL- flashing), **Obstruction Light** (OL), Helicopter-In-Flight Refuelling Light (**HIFRL**) and **Homing Beacon** (HB - flashing - with stronger LEDs and amplifying optics for extended range).

The functionality of the UIL is controlled by Optonaval's internal electronics combining multiple sensors measuring temperature, humidity, and electric current, providing 24/7 monitoring of the light's status. In that respect, the light will show an upcoming malfunction before it actually fails. The light is easy to maintain with standard spare-part kits.

## PRODUCT SPECIFICATION

ELECTRICAL SPECIFICATIONS	
Supply voltage	48 V DC
Power	see applications table
OPERATING CONDITIONS	
Ambient temperature	-25°C to 45°C
Ingress protection level	IP66/67
Shock	acc. to MIL-STD-810G / BV 0230
Vibration	acc. to MIL-STD-810G / BV 0240
EMC	acc. to MIL-STD-461G / VG 95373
NVIS compatible	acc. to MIL-STD-3009 Type II class B
MECHANICAL SPECIFICATIONS	
Dimensions	Ø100x203 mm
Weight	approx. 2,4 kg
Housing color	RAL Classic
Housing material	sea water resistant aluminum alloy
Surface coating	anodized & powder coated
Tube material	PMMA
OPTICAL/LIGHT SPECIFICATIONS	
Light source	LED
Light colors	see applications table
Luminous flux	see applications table
Beam angle	360° azimuth
Beam intensity	see applications (65k dimming levels)
ADDITIONAL DOCUMENTS	
Installation Drawing	H20006-50-001_InstallationDrawing
Installation Manual	H20006-51-001_InstallationManual
Operating Manual	H20006-81-001_OperatingManual
Maintenance Manual	H20006-82-001_MaintenanceManual



## APPLICATIONS

ON-Part No.	Product type	P (rated/max)	Specific Information
H20006-00-001	Obstruction Light – OL – RD-2NM-CBL BTM	18 W / 23 W	up to 1200 lm/60 cd
H20006-00-002	Obstruction Light – OL – RD-2NM-CBL AFT	18 W / 23 W	up to 1200 lm/60 cd
H20006-00-003	Helicopter In Flight Refuelling Light – HIFRL – AM-2NM-CBL BTM	18 W / 23 W	up to 1300 lm/75 cd
H20006-00-004	Helicopter In Flight Refuelling Light – HIFRL – AM-2NM-CBL AFT	18 W / 23 W	up to 1300 lm/75 cd
H20006-00-005	Wave-Off Light – WOL – RD/GN-2NM-CBL BTM	18 W / 23 W	up to 800/650 lm/40 cd, 120 F*
H20006-00-006	Wave-Off Light – WOL – RD/GN-2NM-CBL AFT	18 W / 23 W	up to 800/650 lm/40 cd, 120 F*
H20006-00-007	Homing Beacon – HBL – WH-10NM-CBL BTM	15 W / 100 W	up to 10.000 lm/550 cd, 80-120 F*
H20006-00-008	Homing Beacon – HBL – WH-10NM-CBL AFT	15 W / 100 W	up to 10.000 lm/550 cd, 80-120 F*
H20006-00-009	Homing Beacon (Extended Range) – HBL-XR – WH-12NM-CBL BTM	15 W / 100 W	up to 10.000 lm/2.500 cd, 80-120 F*
H20006-00-010	Homing Beacon (Extended Range) – HBL-XR – WH-12NM-CBL AFT	15 W / 100 W	up to 10.000 lm/2.500 cd, 80-120 F*

\*F = Flashes per min.