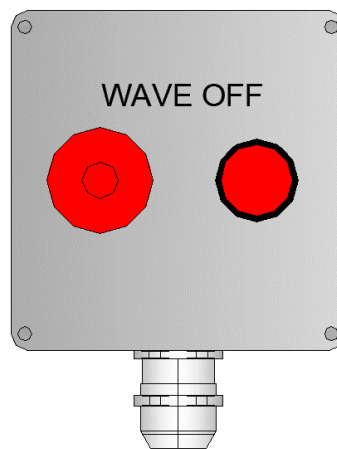


DATASHEET

for

Wave Off Button

Product WOB H20016-00-002 / Naval Applications

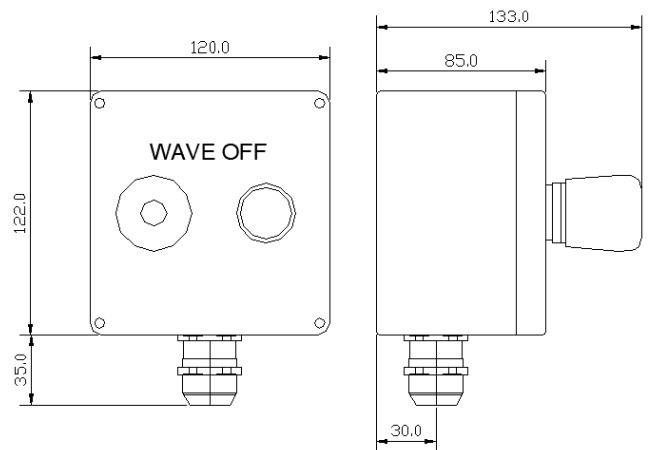


The WOB is a dedicated panel for installation on the bridge or any other position in the flight operations area to control essential functions of the HVLAS like Wave-Off and Stop-/ Go Lights.

All data reflect the current state of the technology and should therefore be regarded with reservation.

PRODUCT SPECIFICATION

ELECTRICAL SPECIFICATIONS	
Supply voltage	24 / 48 V DC
Power	n.a.
OPERATING CONDITIONS	
Ambient temperature	0°C to 45°C
Ingress protection level	IP65
EMC	n.a.
MECHANICAL SPECIFICATIONS	
Dimensions (LxHxD)	120x122x133 mm
Weight	approx. 1,4 kg
Housing color	RAL 7035
Housing material	ABS (Acrylnitril-Butadien-Styrol)
Surface coating	n.a.
Plate material	n.a.
Button material	Polycarbonate
ADDITIONAL DOCUMENTS	
Installation Drawing	B40016-50-002_InstallationDrawing
Installation Manual	B40016-51-002_InstallationManual
Operating Manual	B40016-81-002_OperatingManual
Maintenance Manual	B40016-82-002_MaintenanceManual



APPLICATIONS

ON-part-no.	Product type
H20016-00-002	Navy Variant