

DATASHEET

for

Adjustable Deck Edge Light - Convex

Product ADEL-C H20026 / Yacht Applications

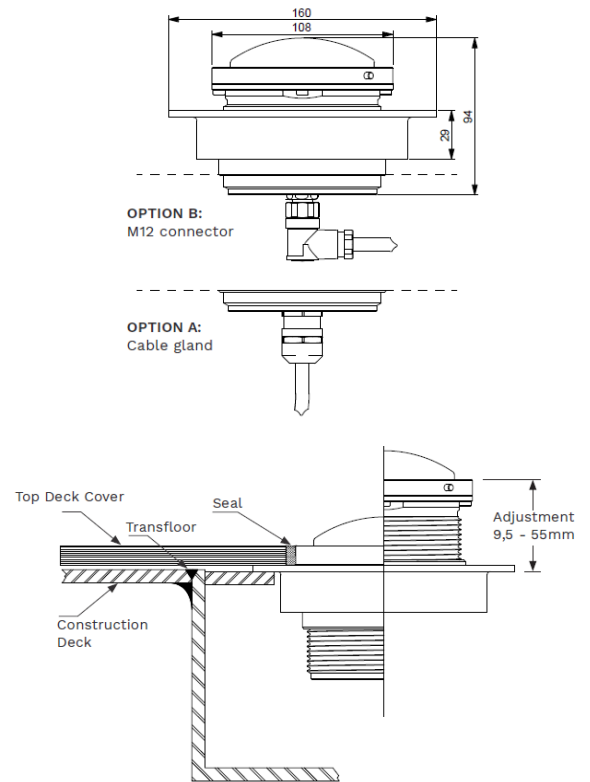


The Optonaval Adjustable Deck Edge Light (ADEL) is designed to offer an almost deck even Perimeter Light (PERL) which does not create any obstacle for persons walking along the deck. The ADEL-C offers an elegant and minimalistic design with no visible screws and will optimally fit into an ambitious deck layout. The Light is adjustable in its vertical position, which allows easy deck installation at varying thicknesses of deck covers, be it teak or synthetic deck material. The adjustability is maintained after installation so that the position can be readjusted after deck maintenance (e.g. teak sanding).

The Light is aimed at providing light from abt. 0° (horizontal) upwards with a characteristic along CAP 437 requirements for Perimeter Lights. The Light comes with Optonaval's standard Multi Sensor Electronics, measuring multiple modes of operation, detecting an upcoming malfunction before the Light might fail. It can also be operated by customer supplied (existing) control systems with a simple on/off functionality. The mode of installation can be anything like welding, bolting, gluing, both from above and below deck.

PRODUCT SPECIFICATION

ELECTRICAL SPECIFICATIONS	
Supply voltage	48 V DC
Power	10 W rated
OPERATING CONDITIONS	
Ambient temperature	-25°C to 45°C
Ingress protection level	IP66/67
EMC	acc. to EN 60945
MECHANICAL SPECIFICATIONS	
Dimensions housing	Ø108 x 90 mm
Dimensions mounting ring	Ø160 x 29 mm
Weight	approx. 1,8 kg
Housing color	aluminum grey
Housing material	sea water resistant aluminum alloy
Surface coating	anodized
Adjustment	9,5 - 55 mm top deck level to construction deck
Top ring material	Stainless steel (polished)
PERL cover material	PMMA
OPTICAL/LIGHT SPECIFICATIONS	
Light source	LED
Light colors	See application table
Light intensity profile	acc. to CAP 437 / ICAO
ADDITIONAL DOCUMENTS	
Installation Drawing	H20026-50-001_InstallationDrawing
Installation Manual	H20026-51-001_InstallationManual
Operating Manual	H20026-81-001_OperatingManual
Maintenance Manual	H20026-82-001_MaintenanceManual



APPLICATIONS

ON-Part No.	Product type
H20026-00-003	Adjustable Deck Edge Light - Convex – ADEL-C – GN - CG
H20026-00-004	Adjustable Deck Edge Light - Convex – ADEL-C – GN - M12
H20026-00-007	Adjustable Deck Edge Light - Convex – ADEL-C – WH - CG
H20026-00-008	Adjustable Deck Edge Light - Convex – ADEL-C – WH - M12