

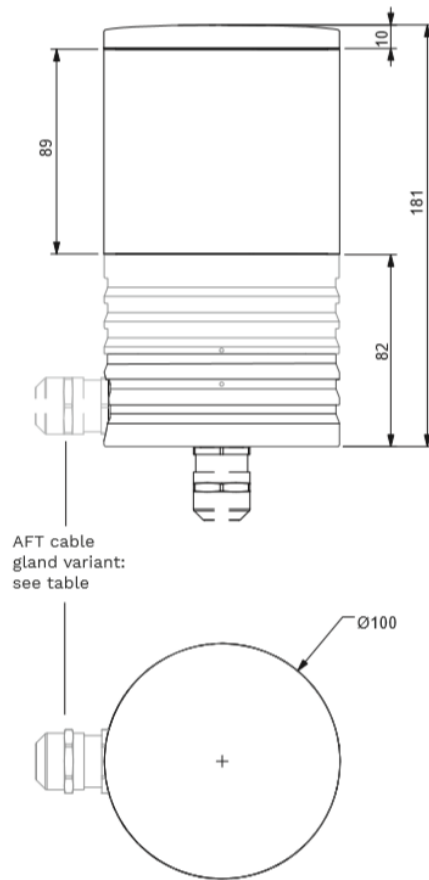
DATASHEET
for
Universal Navigation Light
Product UNL L30001-00-003 / Yacht Applications



Optonaval Universal Navigation Light (UNL) Double Anchor & Double Masthead Light is a member of the Optonaval Navigation Light family, a modular platform, based on a universal housing design. The rigid design of the massive seawater resistant aluminum body is optimized for performance in extreme marine environments.

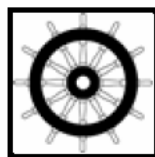
PRODUCT SPECIFICATION

ELECTRICAL SPECIFICATIONS	
Supply voltage	24 V DC
Power	24 W rated / 50,5 W max.
OPERATING CONDITIONS	
Ambient temperature	-20°C to 50°C
Ingress protection level	IP66/67
Shock	acc. to EN 14744
Vibration	acc. to EN 60945
EMC	acc. to EN 60945
Night Vision	compatible
MECHANICAL SPECIFICATIONS	
Dimensions	Ø100x181 mm
Weight	approx. 1,8 kg
Housing color	RAL Classic
Housing material	sea water resistant aluminum alloy
Surface coating	anodized or powder coated (preanodized)
Tube material	PMMA
Aft cable gland variant	L30001-00-004
OPTICAL/LIGHT SPECIFICATIONS	
Light source	LED
Light colors	2x WH, 2x 2WH
Beam angle horizontal	360° - Anchor Light 225° - Masthead Light
Beam angle vertical	±7,5°
Light Range	3 NM - Anchor Light 6 NM - Masthead Light
ADDITIONAL DOCUMENTS	
Installation Drawing	L30001-50-001_InstallationDrawing
Installation Manual	L30001-51-001_InstallationManual
Operating Manual	L30001-81-001_OperatingManual
Maintenance Manual	L30001-82-001_MaintenanceManual



APPLICATIONS

ON-Part No.	Product type
L30001-00-003	UNL - DOUBLE ANCHOR & DOUBLE MASTHEAD LIGHT - 360°&225° - 3NM&6NM - WH - CBL BTM



Notified Body
No.: **0098**